

QUALITY
FUNCTIONAL
INNOVATION

FLASH
& TAPETES
ACESSÓRIOS

www.flashtapeteseacessorios.com.br



Institutional

FLASH & TAPETES ACESSÓRIOS

Flash Tapetes & Acessórios is a company from Flash Cover group (a truck bed cover leader) that aims to afford its clients very readily, providing differentiated products (vanguard), quality, fair and proper prices to automotive market. An updated company, aligned with new market tendencies, design and sustainability, whenever it's possible we use recycled material in our car mats such as PVC.

The company is located in Santa Fé do Sul- SP, it's 650km away from São Paulo - SP. The group has been in the market for over 15 years, we count with more than 450 employees, an area of 50.00 m² being 25.000m² built. The infra-structure counts with cafeteria, gym, soccer field, bocce court and playground.

We Equip
we equip
for you to
sell more!



Mats

Tunnel Mats

COD. FT013

- Manufactured in flexible and recyclable PVC
- Exclusive design
- Universal fit mats (cuts are needed)
- Anti-slip mats
- 4 models: A B C and G

- Manufactured in flexible and recyclable PVC
- Exclusive design
- Protects the carpet of your car
- Universal fit mats (cuts are needed)



BLACK



MATS IDENTIFICATION LIST ACCORDING TO MODELS OF THE VEHICLES

FIAT

A Elba, 147, Panorama, Premio, Siena, Tipo, Fiorino, Grand Siena

B Tempra, Stilo, Linea 12, Brava.

G 500, Idea, Marea, Novo Uno, Palio (Weekend \ Adventure / Sporting), Punto, Strada (Cab. Dupla / Cab. Estendida / Cab. Simples), Bravo, Uno Fire, Freemont, Toro, Mobile.

VOLKSWAGEN

A Voyage a partir 2008, parati, Quantum, Santana, Passat.

B Amarok, Bora, Crossfox, Golf, New Beetle, Polo (Hatch / Sedan / Classic), Spacefox, Tiguan, Logus, Pointer, UP.

VOLKSWAGEN

C Apollo, Gol Antigo, Gol G2 e G3, Golf até 98, Passat até 87, Parati 03, Santana I-ii

G Jetta, Fox, UP, Fusca, Polo (Hatch / Sedan / Classic), Saveiro, Gol G5 e G4, Voyage Spacefox.

GM

A Meriva, Monza, D20, Bonanza, Ipanema.

B Captiva, Cruze, Marajó, Omega, S10 Nova, Zafira, Tracker, Spin, Opala, Trailblazer.

C Silverado.

G Agile, Atra, Onix, Celta, Cobalt, Prisma, Classic, Wago, Blazer, Vectra, Corsa (todos), Sonic, Chevette, Kadett, Montana, S10 Nova.

FORD

A Corcel I, Corcel II, Del Rey, Edge, F1000, Pampa, Verona, Belina.

B Ecosport, Fusion, Ka, Mondeo, Ranger, Focus, Escort SW 00, New Fiesta, Ka (novo)

C Royale, F-250, Versailles.

G Fiesta, Courier.

RENAULT

A Megane 13.

B Clio, Scenic, Logan 12, Sandero 13, Duster 12, Fluence, Symbol, Oroch

C Logan, Megane (Hatch-Sedan), Megane Grand Tour, Sandero.

HONDA

B Civic até 2006, City, Civic LXL 11, Honda CR-V.

G Civic.

TOYOTA

A Fielder.

B Pick-up Hilux a partir de 2012, Sw4, Corolla (até 2001 e 2011), Bandeirante.

G Etios, Corolla.

PEUGEOT

B 207, 307, 308, 408, 508, Hoggar, 3008.

G 206.

CITROEN

A Aircross, C3 12, Xsara Picasso, Xsara Sedan, Xsara Break, Ds3, C4, C4 Pallas, C3 Picasso, C3 XTR, C4 Picasso.

HYUNDAI

B Elantra, Sonata, Veloster, Tucson, Santa Fé, Veracruz, I30 (Hatch-SW), Hb20, Azera, IX35.

KIA

A Soul.

B Cerato, Mohave, Sorento, Sportage, Sportage Grand, Cadenza, Opirus, Picanto.

G Magentis.

AUDI

A A3 08.

B A4, A3 05.

CHRYSLER

A Town & Country (Obs. Frente mod. A, Traseiro mod. C).

B Grand Jeep Cherokee.

C Town & Country (Obs. Frente mod. A, Traseiro mod. C).

DODGE

B Journey.

MERCEDES BENZ

B Classe A, B200, Séries E-SLK, Série C-S-SL, ML.

MITSUBISHI

B Pajero Full, Outlander, Galant, Pajero Sport, Dakar, Pajero TR4, L200.

G L200 Triton.

NISSAN

A Grand Livina, Livina.

B Sentra, March, Tiida (a partir 12), D40 12, Outlander, Versa

G Frontier.

BMW

B 118

G 120-I.

SSANGYONG

B Actyon.

SUZUKI

B Jimny, SX-4, Grand Vitara, Vitara.

CHERY

A Chery QQ.

B Cielo (Hatch-Sedan), Face, Tiggo.

JEEP

B Renegade, Compass.

JAC MOTORS

C J2, J3, J5, J6.

LAND ROVER

B Discovery, Ranger Rover.

LIFAN MOTORS

B X60

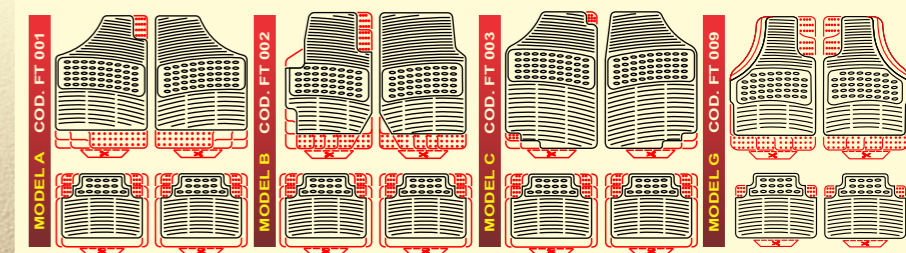
G Lifan 620

Lifan 530

Lifan 520

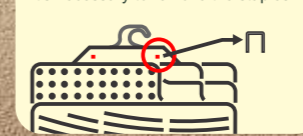
For more information please visit our website:
www.flashtapeteseaccessorios.com.br

FLASH TAPETE has a fit system that allows most part of its mats to be fit for different car models in the market, it's sometimes needed in some cases to cut the mats at INDICATED LINES according to the model of each car floor.



ATTENTION: It's extremely important to cut the mats according to directions given here, FOR YOUR SECURITY FLASH TAPETES & ACESSÓRIOS DO NOT RESPOND TO MISUSE.

The set of mats is stapled in a hanger, it's necessary to remove the staples.



After removing the staples it's necessary to cut the flaps where the mats are stapled.



To identify the plate of the vehicle it's recommended to use a permanent marker



THERMAL BAG

Designed to make your day-to-day easier

It includes an Opener

Separator pocket

Refill *exclusive system for easy cleaning*

Resistance and Funcionality

- Available in sizes P, M and G (S, M and L)
- It keeps temperature more than 18 hours with the bag filled with ice, protected from the sun and kept away from excessive heat. It keeps warm for up to 4 hours.

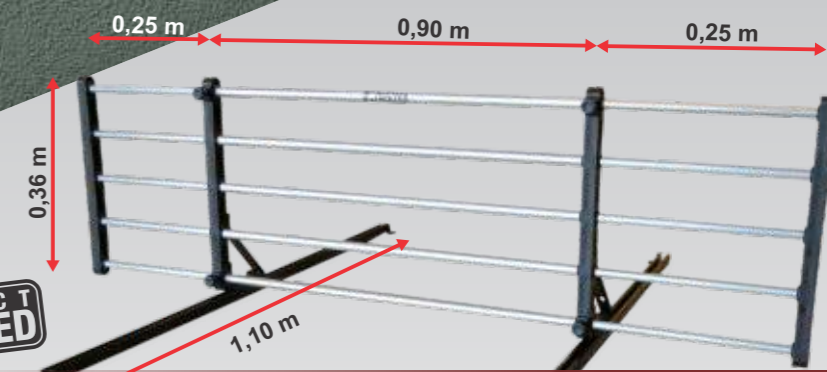
Size	Code	Capacidad	Dimensiones		
			ANCHURA	LARGO	ALTURA
P	Ac020	43 litros	0,40m	0,40m	0,30m
M	Ac021	88 litros	0,60m	0,40m	0,40m
G	Ac022	133 litros	0,90m	0,40m	0,40m



TORO

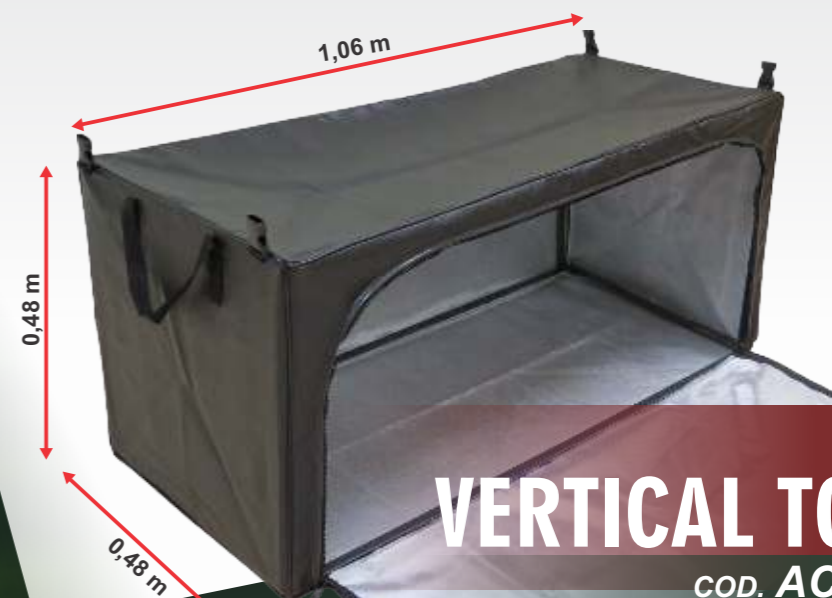


PRODUCT
PATENTED



Flash Cargo TORO

COD. AC241 T



Bag VERTICAL TORO

COD. AC001 T



Bag HORIZONTAL TORO

COD. AC627 T



New DUSTER OROCH



Bag
HORIZONTAL OROCH
COD. AC627 O

Bag
VERTICAL OROCH
COD. AC001 O



LAUNCH FIXING CLIPA

FOR CARGO TRAY BAGS



More practical and quicker to install!

LOCK your
CARGO TRAY BAG
WITH ONE **CLICK**



Vertical truck bed cover cargo bag



- The material is resistant to rain and dust
- Available in sizes M and G
- Fits to different models of truck bed
- Practical and safe
- Order and comfort
- Water resistant. Not waterproof

Size	Code	Dimensions		
		WIDTH	LENGTH	HEIGHT
M	AC001	1,15m	0,45m	0,45m - 230 Liters
G	AC002	1,25m	0,45m	0,45m - 253 Liters



Horizontal truck bed cover cargo bag

- ▶ The material is resistant to rain and dust
- ▶ Available in sizes PP, P, M and G
- ▶ Fits to different models of truck bed
- ▶ Practical and safe
- ▶ Order and comfort
- ▶ Water resistant. Not waterproof



SIZE INDEX

PP - HORIZONTAL

COD. AC831

WIDTH LENGTH HEIGHT
1,04m x 0,83m x 0,52m 445 Litros

Strada CE Adv. C/Step 2014
Strada CE Adv. S/Step 2014
Strada CD Work 2014
Strada CD Adv. C/Step 2014
Strada CD Adv. S/Step 2014
Strada CD 2010 C/Step
Strada CD 2010 S/Step
Strada CD 2010 C/Gan. C/Step
Strada CD 2010 C/Gan. S/Step
Strada Est. Todas C/Step
Strada Est. Todas S/Step
Strada Est. C/Step C/Gan. Orig.
Strada Est. S/Step C/Gan. Orig.
Strada Est. Locker 09 C/Step
Strada Est. Locker 09 S/Step
Strada Est. Locker 09 C/Gan. C/Step
Strada Est. Locker 09 C/Gan. S/Step
Saveiro 2010 CE C/Gan.
Saveiro 2010 CE S/Gan.
Saveiro Até 97 C/Gra.
Saveiro Até 97 S/Gra.
Pick-up Corsa
Chevy C/Grade

P - HORIZONTAL

COD. AC832

LARGURA COMP. ALTURA
1,04m x 1,55m x 0,52m 835 Litros

Strada Nor. C/Gra. C/Step
Strada Nor. C/Gra. S/Step
Strada Nor. C/Gra. C/Gan. C/Step
Strada Nor. C/Gra. C/Gan. S/Step
Strada Nor. S/Gra. C/Step
Strada Nor. S/Gra. S/Step
Strada Nor. S/Gra. C/Gan. C/Step
Strada Nor. S/Gra. C/Gan. S/Step
Strada CS Work 2014
Strada CE Adv. S/Step 2014
Courier
Saveiro 98/2009 C/Gra. S/Step
Saveiro 98/2009 S/Gra. S/Step
Saveiro 2010 CS C/Gan.
Saveiro 2010 CS S/Gan.
Nova Montana 2011
Montana BT
Fiorino Curta
Fiorino Longa S/Step
Fiorino Longa C/Step
Silverado Splash
Ranger Splash

M - HORIZONTAL

COD. AC627

LARGURA COMP. ALTURA
1,10m x 1,30m x 0,45m 640 Litros

S10 CD
Ranger 5P CD
Frontier CD
Nissan CD SEL D40
Hilux CD Todas Até 04
Pampa C/SA C/Step
Hilux CD 05
Amarok CD BT
L200 Sport
L200 Triton
L200 Triton XB 2012
L200 S/Gra.
L200 C/Gra.
Mahindra CD Scorpio C/Gra. 2009
Mahindra CD Scorpio C/Gra.
S10 CD 2012
Ranger CD 2012/13 XLS
Ranger CD2012/13 C/SA D. XLT
Nissan D-12 CD C/G
Mazda CD C/G BT50
Sailor CD
Mahindra CD Scorpio S/Gra.

G - HORIZONTAL

COD. AC628

LARGURA COMP. ALTURA
1,45m x 1,50m x 0,55m 1.190 Litros

S10 CS BT New Force
Silverado A16
Silverado A15
D20 CD C/Step
D20 C/Step
A10/D10/C10 Cs
Ranger 6P CS
Ranger 7P
F1000 Até 92 S/SA C/Step
F1000 Até 92 C/SA C/Step
F1000 N S/SA C/Step
F1000 N C/SA C/Step
F250 S/SA
F250 C/SA Orig.
F250 C/SA D3
Hilux CS Todas Até 04
Hilux CS C/Gra. Todas Até 04
Frontier CS
Dakota CD
Dakota CS
Peugeot
Dodge Ram CS Antiga
080 - Mazda CS
081 - Silverado S/Step
083 - D20 CD S/Step
082 - D20 S/Step
084 - F1000 Até 92 S/SA S/Step
085 - F1000 Até 92 C/SA S/Step
086 - F1000 N S/SA S/Step
087 - F1000 N C/SA S/Step
091 - Hilux CS 02
103 - Hilux CS 05 C/Gra.
104 - Dodge Ram CS 06
109 - F250 CS 8Pés
112 - F350
114 - F 75 Rural
124 - Hilux CS 05 S/Gra.
137 - Mahindra CS C/Gra.
144 - Mahindra CS C/Gra. 2009
146 - Mahindra CS S/Gra.
165 - F150 Raptor
173 - Amarok CS
175 - S10 CS 2012
178 - Ranger CS 2012/2013 XLS

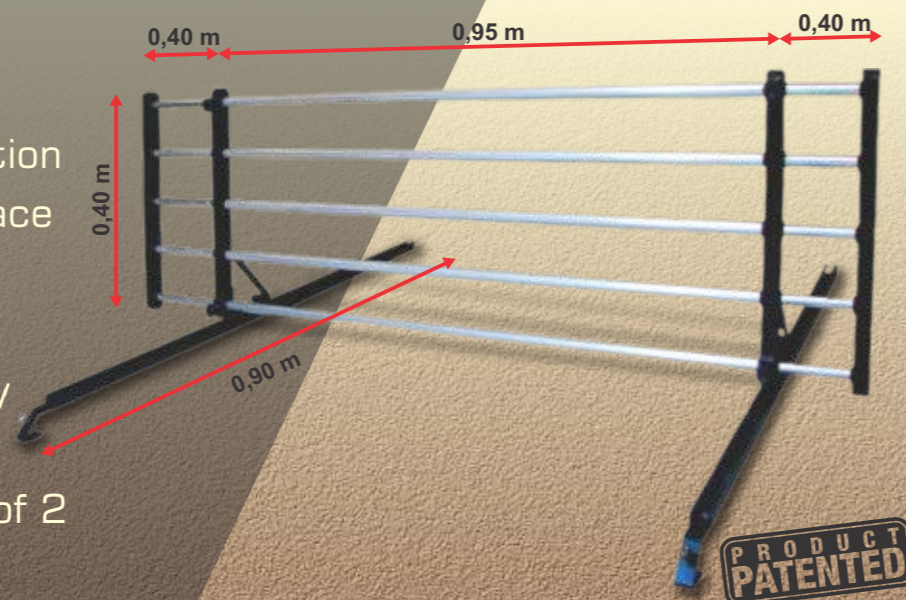


Flash Cargo Rack

cod. AC241



- ▶ Solution for cargo transport
- ▶ Organization provider
- ▶ Aluminum manufactured
- ▶ Practical and easy installation
- ▶ Allows to use the total space of bed
- ▶ Practical and safe
- ▶ Light and retractable, easy to disassemble
- ▶ Amount for sell: multiples of 2



Spare Tire Covers

Make your choice!



- ▶ Many options of print
- ▶ Resistant canvas
- ▶ With/without lock key
- ▶ Creaseless finish
- ▶ Sun and rain resistant
- ▶ Amount for sell: multiples of 5

Many models available!



SPARE TIRE COVERS

EcoSport



MODELO 01 - Cód. CA 001



MODELO 02 - Cód. CA 002



MODELO 03 - Cód. CA 003



MODELO 04 - Cód. CA 004



MODELO 05 - Cód. CA 005



MODELO 06 - Cód. CA 006



MODELO 07 - Cód. CA 007



MODELO 08 - Cód. CA 008



MODELO 09 - Cód. CA 009



MODELO 10 - Cód. CA 010



MODELO 11 - Cód. CA 011



MODELO 12 - Cód. CA 012



MODELO 13 - Cód. CA 013



MODELO 14 - Cód. CA 014



MODELO 15 - Cód. CA 015



MODELO 16 - Cód. CA 016



MODELO 17 - Cód. CA 017



MODELO 18 - Cód. CA 018



MODELO 19 - Cód. CA 019



MODELO 20 - Cód. CA 020



MODELO 21 - Cód. CA 021



MODELO 22 - Cód. CA 022



MODELO 23 - Cód. CA 023



MODELO 24 - Cód. CA 024



MODELO 25 - Cód. CA 025

CROSSFOX



MODELO 01 - Cód. CA 025



MODELO 02 - Cód. CA 026



MODELO 03 - Cód. CA 027



MODELO 04 - Cód. CA 028



MODELO 05 - Cód. CA 029



MODELO 06 - Cód. CA 030



MODELO 07 - Cód. CA 031



MODELO 08 - Cód. CA 032



MODELO 09 - Cód. CA 033



MODELO 10 - Cód. CA 034



MODELO 11 - Cód. CA 035



MODELO 12 - Cód. CA 036



MODELO 13 - Cód. CA 037



MODELO 14 - Cód. CA 038



MODELO 15 - Cód. CA 039



MODELO 16 - Cód. CA 040



MODELO 17 - Cód. CA 041



MODELO 18 - Cód. CA 042



MODELO 19 - Cód. CA 043



MODELO 20 - Cód. CA 044



MODELO 21 - Cód. CA 045



TRACKER



MODELO 01 - Cód. CA 049



MODELO 02 - Cód. CA 050

Dobló



MODELO 01 - Cód. CA 047



MODELO 02 - Cód. CA 048

PAJERO FULL



MODELO 01 - Cód. CA 053



MODELO 02 - Cód. CA 054

TROLLER



MODELO 01 - Cód. CA 045



MODELO 02 - Cód. CA 046

PAJERO TR4



MODELO 01 - Cód. CA 051



MODELO 02 - Cód. CA 052

With or without lock key
Make your choice!

Cabin Bag Extended Saveiro 2010



- Not necessary to drill
- Fixed in preexisting areas
- Modern design
- Better internal capacity use
- Practical and safe

Option of Colors

- Red and Black**
Cod. AC075
- Yellow and Black**
Cod. AC076

Sand Bags

- Keeps pick up stability
- Fits to any kind of beds
- Security
- Available in sizes M and G
- Easy to handle

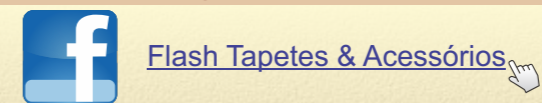
Size	Code.	Capacity	Measure	
			WIDTH	LENGHT
M	AC045	30kg	1,38m	x 0,58m
G	AC046	50kg	1,55m	x 0,58m



Subscribe to our channel
and check videos on how installing our products



Like our Facebook page
And get updated!



Follow us on instagram



E mail us

contato@flashtapetes.com.br

For more information please visit our website
www.flashtapeteseacessorios.com.br

FLASH & TAPETES ACESSÓRIOS

FLASH TAPETES & ACESSÓRIOS
Av. José Domingues da Fonseca, 854, Distrito Industrial I,
Santa Fé do Sul - SP - CEP 15775-000
(17) 3631-5414 | 99754-4583
Camargo Filho, Caldeira e Magone LTDA - EPP
CNPJ: 20.702.322/0001-90
www.flashtapeteseacessorios.com.br

